
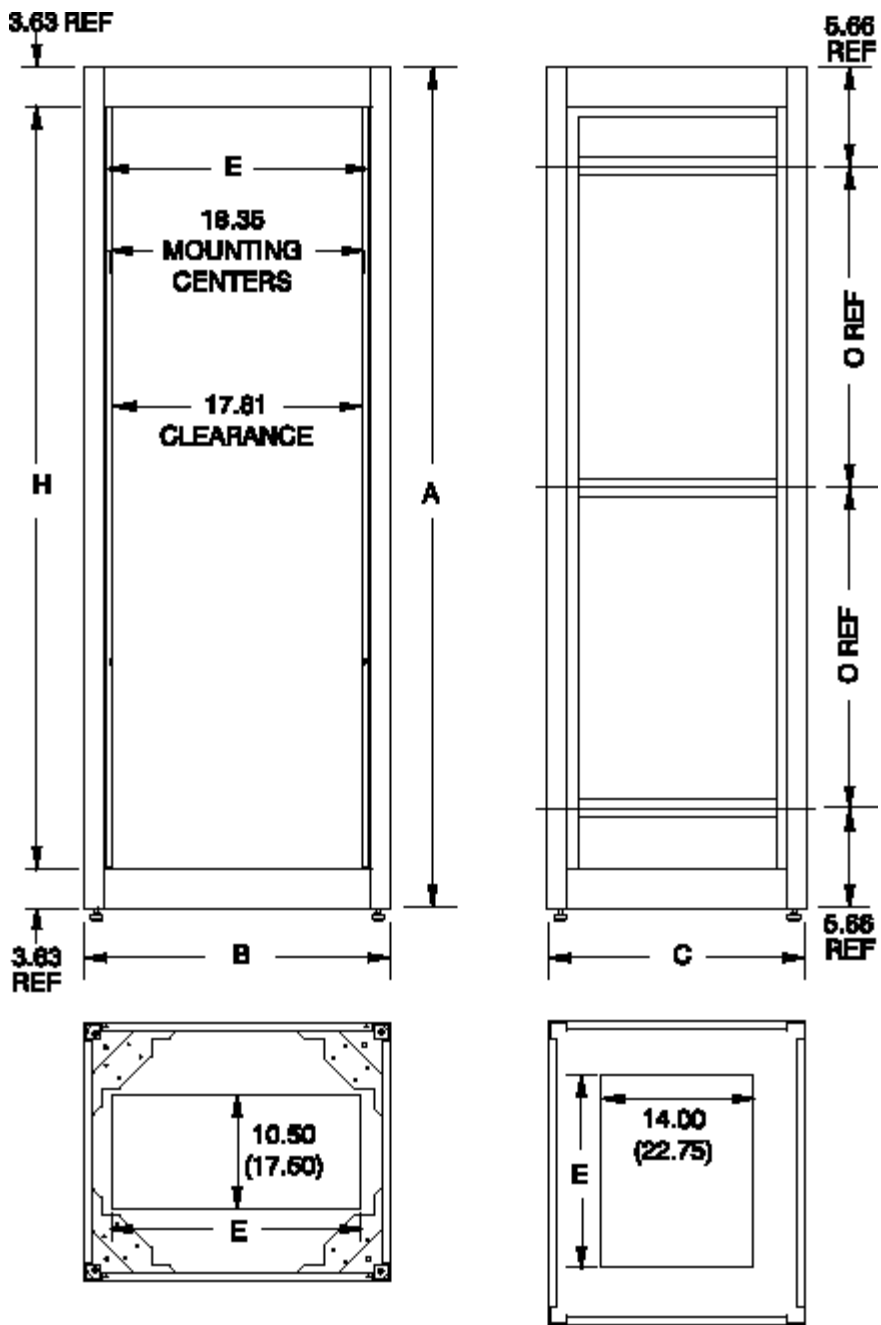


Welded - "Contempra" Rack Cabinet Frames (C2F Series)

Features:



- Heavy duty - welded rack (1,500 lb even load rating)...
- Standard 19" panel width (23" overall)...
- Choice of three depths:
 1. usable depth of 21.63" (23.63" overall)
 2. usable depth of 29.50" (31.50" overall)
 3. usable depth of 34.00" (36.00" overall)
- Unit is shipped as welded frame only with 4 levelling feet...
-  **Panel rails are NOT included** - to maximize rail options (see accessories listed below or link here [to rails](#))...
- Save time & money, link here ([C2RR series](#)) to our assembled "**Rapid Rack**" version, complete with our most popular accessories...
- Heavy duty: 14 gauge steel frame (black or grey/beige)...
- Recommended maximum weight (C2F247836 tested) - 1,500 pounds...
- Finished in a rugged, textured powder paint...
- See frame [accessories below](#).



23.63" Deep models:
Usable Depth = 21.63"

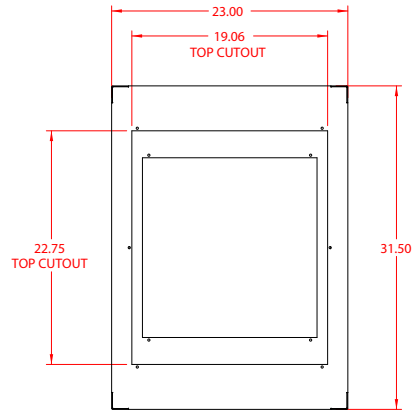
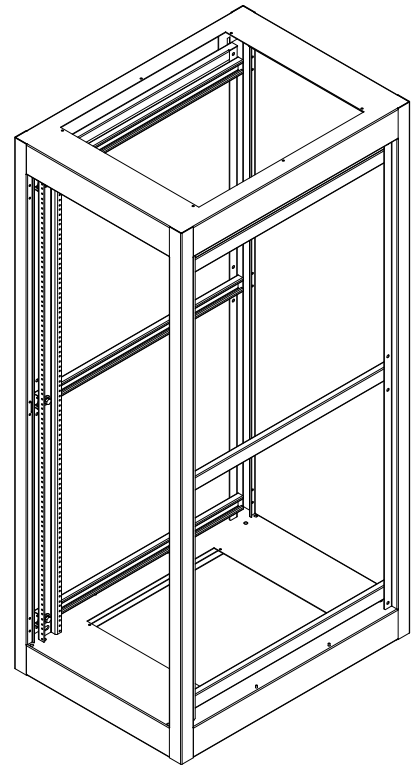
| Part Number | Color | Drawing File Size | .zip File Size | Panel Height | | Overall Dimensions (Inches) | | | |
|--|---------------------|-------------------|----------------|--------------|-------|-----------------------------|----|-------|-------|
| | | | | Inches | Units | A | B | C | H |
| C2F193523BK1 C2F193523CG1 | Black Gray/Beige | 130K | 55K | 35 | 20 | 42.31 | 23 | 23.63 | 35.06 |
| C2F194223BK1 C2F194223CG1 | Black Gray/Beige | 135K | 57K | 42 | 24 | 49.31 | 23 | 23.63 | 42.06 |
| C2F194923BK1 C2F194923CG1 | Black Gray/Beige | 139K | 59K | 49 | 28 | 56.31 | 23 | 23.63 | 49.06 |
| C2F195623BK1 C2F195623CG1 | Black Gray/Beige | 145K | 62K | 56 | 32 | 63.31 | 23 | 23.63 | 56.06 |
| C2F196323BK1 C2F196323CG1 | Black Gray/Beige | 144K | 63K | 63 | 36 | 70.31 | 23 | 23.63 | 63.06 |

| | | | | | | | | | | | |
|--|---------------------|--|------|--|-----|--------------|----|-------|----|----|-------|
| C2F195636CG1 | Gray/Beige | | 141K | | 64K | 56 | 32 | 63.31 | 23 | 36 | 56.06 |
| C2F196336BK1 C2F196336CG1 | Black Gray/Beige | | 145K | | 65K | 63 | 36 | 70.31 | 23 | 36 | 63.06 |
| C2F197036BK1 C2F197036CG1 | Black Gray/Beige | | 149K | | 67K | 70 | 40 | 77.31 | 23 | 36 | 70.06 |
| C2F197836BK1 C2F197836CG1 | Black Gray/Beige | | 154K | | 68K | 78.75 | 45 | 86.06 | 23 | 36 | 78.81 |
| C2F198536BK1 C2F198536CG1 | Black Gray/Beige | | 157K | | 70K | 85.75 | 49 | 93.06 | 23 | 36 | 85.81 |

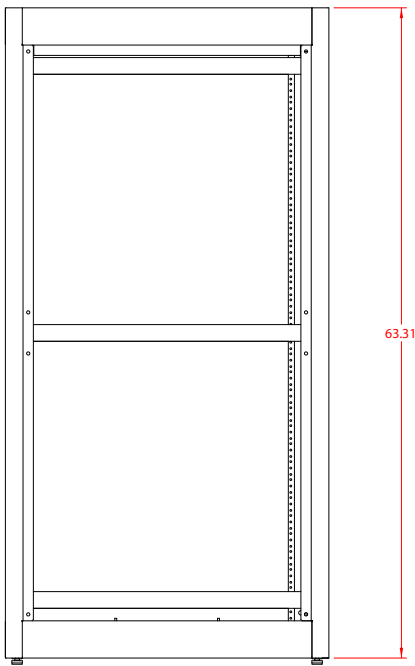


PART No. C2F195631

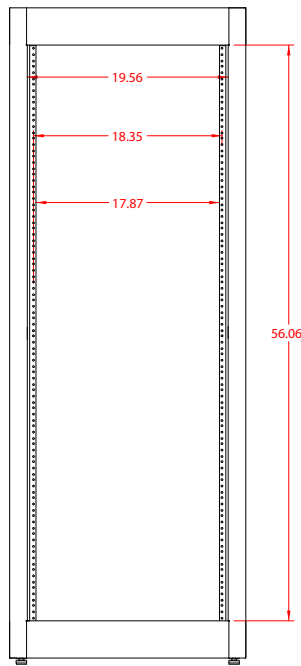
Isometric drawing not to scale
CCR TAPPED RAILS NOT INCLUDED



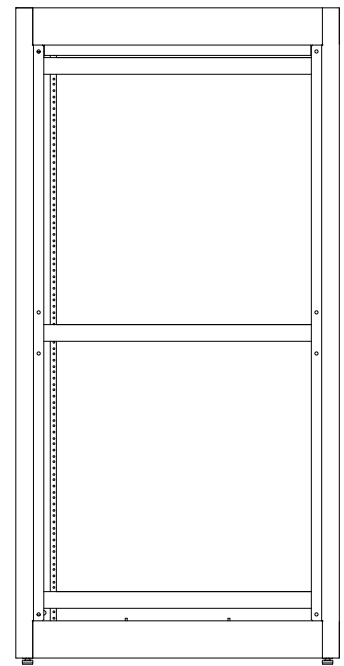
TOP VIEW



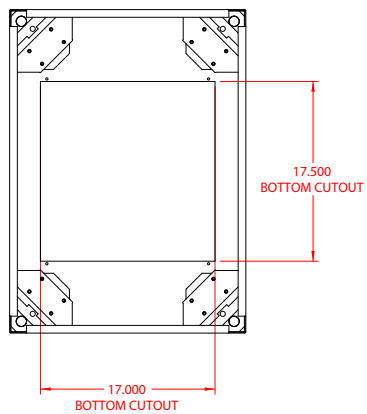
L.S. VIEW



FRONT VIEW



R.S. VIEW



BOTTOM VIEW

FEATURES

- Heavy duty, welded 14 guage steel rack frame
- Recommended maximum weight (C2F247836 tested) - 1,500 pounds
- Standard 19" panel mount width (23" overall width)
- For 19" extra wide, 23" and 24" rack mount cabinets for vertical cable management applications see page 56
- Choice of three depths (23.6", 31.5" or 36")
- Unit is shipped as a welded frame only with 4 levelling feet
- **Panel rails are NOT included** allows maximum flexibility of panel rails, quantity & options (ie..tapped or square hole) see page 45 for options.
- Finished in a rugged, textured powder paint finish
- Welded frame bottom includes caster mounts
- See ordering guide (next page)

23.63" Deep (Usable Depth = 21.63")

| Part Number | | Dimensions (Inches) | | | | | | | | | |
|----------------|----------------|---------------------|-------|---------|-------|-------|------------|-------|---------------|-------|---------------|
| | | Panel Height | | Overall | | | Top Cutout | | Bottom Cutout | | Strut Spacing |
| | | | | Height | Width | Depth | Depth | Width | Depth | Width | |
| Black Textured | Beige Textured | C | Units | A | B | D | E | F | G | H | K |
| C2F193523BK1 | C2F193523CG1 | 35.06 | 20 | 42.31 | 23 | 23.63 | 14 | 19 | 10.5 | 17 | N/A |
| C2F194223BK1 | C2F194223CG1 | 42.06 | 24 | 49.31 | 23 | 23.63 | 14 | 19 | 10.5 | 17 | 19.00 |
| C2F194923BK1 | C2F194923CG1 | 49.06 | 28 | 56.31 | 23 | 23.63 | 14 | 19 | 10.5 | 17 | 22.50 |
| C2F195623BK1 | C2F195623CG1 | 56.06 | 32 | 63.31 | 23 | 23.63 | 14 | 19 | 10.5 | 17 | 26.00 |
| C2F196323BK1 | C2F196323CG1 | 63.06 | 36 | 70.31 | 23 | 23.63 | 14 | 19 | 10.5 | 17 | 29.50 |
| C2F197023BK1 | C2F197023CG1 | 70.06 | 40 | 77.31 | 23 | 23.63 | 14 | 19 | 10.5 | 17 | 33.00 |
| C2F197823BK1 | C2F197823CG1 | 78.81 | 45 | 86.06 | 23 | 23.63 | 14 | 19 | 10.5 | 17 | 37.38 |
| C2F198523BK1 | C2F198523CG1 | 85.81 | 49 | 93.06 | 23 | 23.63 | 14 | 19 | 10.5 | 17 | 40.88 |

31.5" Deep (Usable Depth = 29.5")

| Part Number | | Dimensions (Inches) | | | | | | | | | |
|----------------|----------------|---------------------|-------|---------|-------|-------|------------|-------|---------------|-------|---------------|
| | | Panel Height | | Overall | | | Top Cutout | | Bottom Cutout | | Strut Spacing |
| | | | | Height | Width | Depth | Depth | Width | Depth | Width | |
| Black Textured | Beige Textured | C | Units | A | B | D | E | F | G | H | K |
| C2F193531BK1 | C2F193531CG1 | 35.06 | 20 | 42.31 | 23 | 31.50 | 22.75 | 19 | 17.5 | 17 | N/A |
| C2F194231BK1 | C2F194231CG1 | 42.06 | 24 | 49.31 | 23 | 31.50 | 22.75 | 19 | 17.5 | 17 | 19.00 |
| C2F194931BK1 | C2F194931CG1 | 49.06 | 28 | 56.31 | 23 | 31.50 | 22.75 | 19 | 17.5 | 17 | 22.50 |
| C2F195631BK1 | C2F195631CG1 | 56.06 | 32 | 63.31 | 23 | 31.50 | 22.75 | 19 | 17.5 | 17 | 26.00 |
| C2F196331BK1 | C2F196331CG1 | 63.06 | 36 | 70.31 | 23 | 31.50 | 22.75 | 19 | 17.5 | 17 | 29.50 |
| C2F197031BK1 | C2F197031CG1 | 70.06 | 40 | 77.31 | 23 | 31.50 | 22.75 | 19 | 17.5 | 17 | 33.00 |
| C2F197831BK1 | C2F197831CG1 | 78.81 | 45 | 86.06 | 23 | 31.50 | 22.75 | 19 | 17.5 | 17 | 37.38 |
| C2F198531BK1 | C2F198531CG1 | 85.81 | 49 | 93.06 | 23 | 31.50 | 22.75 | 19 | 17.5 | 17 | 40.88 |

36" Deep (Usable Depth = 34")

| Part Number | | Dimensions (Inches) | | | | | | | | | |
|----------------|----------------|---------------------|-------|---------|-------|-------|------------|-------|---------------|-------|---------------|
| | | Panel Height | | Overall | | | Top Cutout | | Bottom Cutout | | Strut Spacing |
| | | | | Height | Width | Depth | Depth | Width | Depth | Width | |
| Black Textured | Beige Textured | C | Units | A | B | D | E | F | G | H | K |
| C2F193536BK1 | C2F193536CG1 | 35.06 | 20 | 42.31 | 23 | 36 | 27.25 | 19 | 17.5 | 17 | N/A |
| C2F194236BK1 | C2F194236CG1 | 42.06 | 24 | 49.31 | 23 | 36 | 27.25 | 19 | 17.5 | 17 | 19.00 |
| C2F194936BK1 | C2F194936CG1 | 49.06 | 28 | 56.31 | 23 | 36 | 27.25 | 19 | 17.5 | 17 | 22.50 |
| C2F195636BK1 | C2F195636CG1 | 56.06 | 32 | 63.31 | 23 | 36 | 27.25 | 19 | 17.5 | 17 | 26.00 |
| C2F196336BK1 | C2F196336CG1 | 63.06 | 36 | 70.31 | 23 | 36 | 27.25 | 19 | 17.5 | 17 | 29.50 |
| C2F197036BK1 | C2F197036CG1 | 70.06 | 40 | 77.31 | 23 | 36 | 27.25 | 19 | 17.5 | 17 | 33.00 |
| C2F197836BK1 | C2F197836CG1 | 78.81 | 45 | 86.06 | 23 | 36 | 27.25 | 19 | 17.5 | 17 | 37.38 |
| C2F198536BK1 | C2F198536CG1 | 85.81 | 49 | 93.06 | 23 | 36 | 27.25 | 19 | 17.5 | 17 | 40.88 |

19" Rack Mount

Welded